

## Features

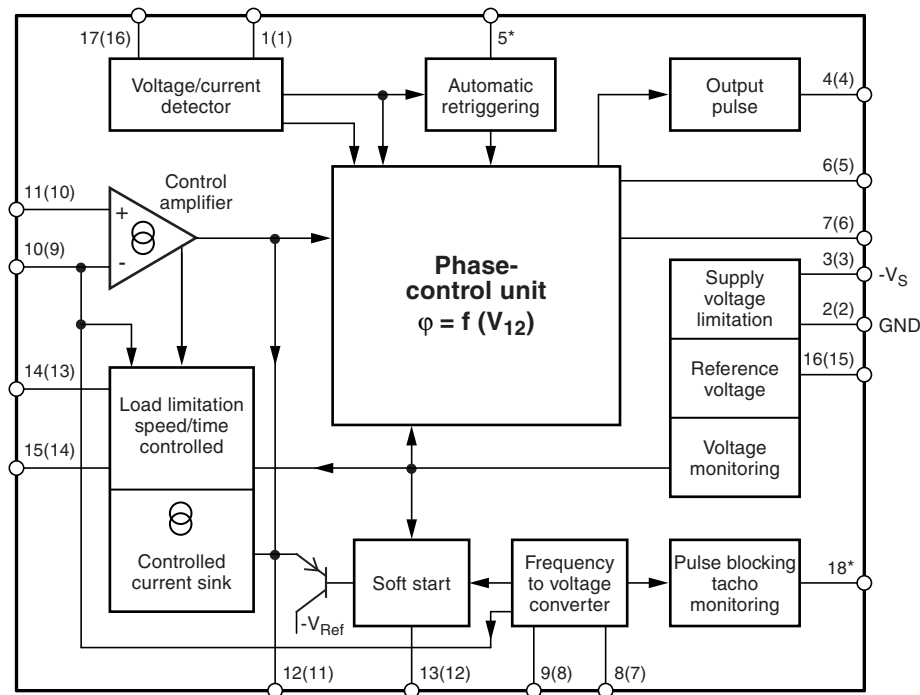
- Internal Frequency-to-voltage Converter
- Externally Controlled Integrated Amplifier
- Overload Limitation with “Fold Back” Characteristic
- Optimized Soft-start Function
- Tacho Monitoring for Shorted and Open Loop
- Automatic Retriggering Switchable
- Triggering Pulse Typically 155 mA
- Voltage and Current Synchronization
- Internal Supply-voltage Monitoring
- Temperature Reference Source
- Current Requirement  $\leq 3$  mA

## 1. Description

The integrated circuit U211B is designed as a phase-control circuit in bipolar technology with an internal frequency-to-voltage converter. The device includes an internal control amplifier which means it can be used for speed-regulated motor applications.

Amongst others, the device features integrated load limitation, tacho monitoring and soft-start functions, to realize sophisticated motor control systems.

Figure 1-1. Block Diagram



Pin numbers in brackets refer to SO16  
 \*Pins 5 and 18 connected internally



## Product Description

### U211B



## 2. Pin Configuration

Figure 2-1. Pinning DIP18

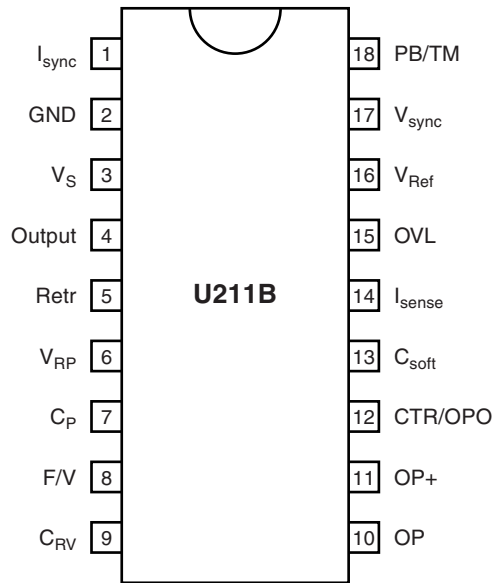
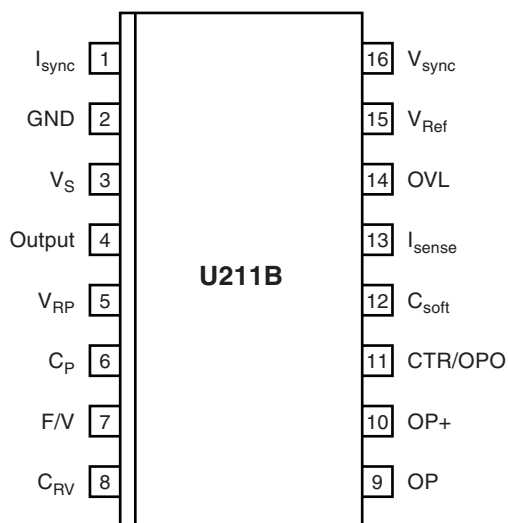


Table 2-1. Pin Description

Pin	Symbol	Function
1	$I_{sync}$	Current synchronization
2	GND	Ground
3	$V_S$	Supply voltage
4	Output	Trigger pulse output
5	Retr	Retrigger programming
6	$V_{RP}$	Ramp current adjust
7	$C_P$	Ramp voltage
8	F/V	Frequency-to-voltage converter
9	$C_{RV}$	Charge pump
10	OP-	OP inverting input
11	OP+	OP non-inverting input
12	CTR/OPO	Control input/OP output
13	$C_{soft}$	Soft start
14	$I_{sense}$	Load-current sensing
15	OVL	Overload adjust
16	$V_{Ref}$	Reference voltage
17	$V_{sync}$	Voltage synchronization
18	PB/TM	Pulse blocking/tacho monitoring

**Figure 2-2.** Pinning SO16



**Table 2-2.** Pin Description

Pin	Symbol	Function
1	$I_{sync}$	Current synchronization
2	GND	Ground
3	$V_S$	Supply voltage
4	Output	Trigger pulse output
5	$V_{RP}$	Ramp current adjust
6	$C_P$	Ramp voltage
7	F/V	Frequency-to-voltage converter
8	$C_{RV}$	Charge pump
9	OP-	OP inverting input
10	OP+	OP non-inverting input
11	CTR/OPO	Control input/OP output
12	$C_{soft}$	Soft start
13	$I_{sense}$	Load-current sensing
14	OVL	Overload adjust
15	$V_{Ref}$	Reference voltage
16	$V_{sync}$	Voltage synchronization

### 3. Mains Supply

The U211B is equipped with voltage limiting and can therefore be supplied directly from the mains. The supply voltage between pin 2 (+ pol/\_L\_) and pin 3 builds up across  $D_1$  and  $R_1$  and is smoothed by  $C_1$ . The value of the series resistance can be approximated using:

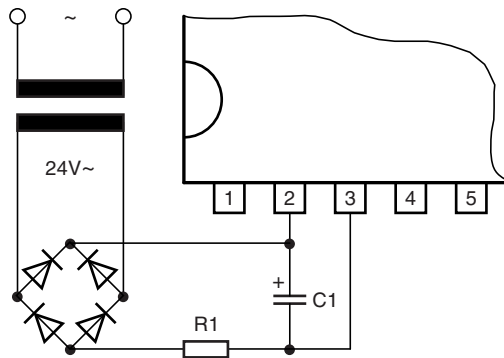
$$R_1 = \frac{V_M - V_S}{2 I_S}$$

Further information regarding the design of the mains supply can be found in the section “Design Hints” on page 9. The reference voltage source on pin 16 of typically  $-8.9V$  is derived from the supply voltage and is used for regulation.

Operation using an externally stabilized DC voltage is not recommended.

If the supply cannot be taken directly from the mains because the power dissipation in  $R_1$  would be too large, the circuit as shown in Figure 3-1 should be used.

**Figure 3-1.** Supply Voltage for High Current Requirements



### 4. Phase Control

The phase angle of the trigger pulse is derived by comparing the ramp voltage (which is mains synchronized by the voltage detector) with the set value on the control input pin 12. The slope of the ramp is determined by  $C_2$  and its charging current. The charging current can be varied using  $R_2$  on pin 6. The maximum phase angle  $\alpha_{max}$  can also be adjusted by using  $R_2$ .

When the potential on pin 7 reaches the nominal value predetermined at pin 12, a trigger pulse is generated whose width  $t_p$  is determined by the value of  $C_2$  (the value of  $C_2$  and hence the pulse width can be evaluated by assuming  $8 \mu s/nF$ ). At the same time, a latch is set, so that as long as the automatic retriggering has not been activated, no more pulses can be generated in that half cycle.

The current sensor on pin 1 ensures that, for operations with inductive loads, no pulse will be generated in a new half cycle as long as a current from the previous half cycle is still flowing in the opposite direction to the supply voltage at that instant. This makes sure that “gaps” in the load current are prevented.

The control signal on pin 12 can be in the range of  $0V$  to  $-7V$  (reference point pin 2).

If  $V_{12} = -7V$ , the phase angle is at maximum ( $\alpha_{max}$ ), i.e., the current flow angle, is at minimum. The phase angle is minimum ( $\alpha_{min}$ ) when  $V_{12} = V_2$ .

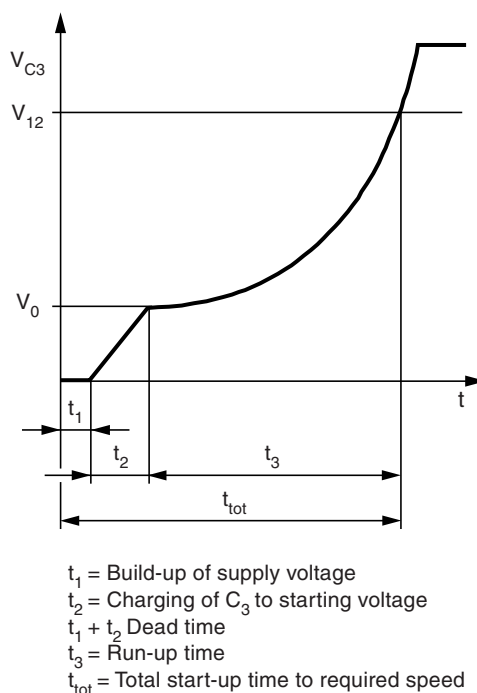
## 5. Voltage Monitoring

As the voltage is built up, uncontrolled output pulses are avoided by internal voltage surveillance. At the same time, all latches in the circuit (phase control, load limit regulation, soft start) are reset and the soft-start capacitor is short circuited. Used with a switching hysteresis of 300 mV, this system guarantees defined start-up behavior each time the supply voltage is switched on or after short interruptions of the mains supply.

## 6. Soft Start

As soon as the supply voltage builds up ( $t_1$ ), the integrated soft start is initiated. [Figure 6-1](#) shows the behavior of the voltage across the soft-start capacitor, which is identical with the voltage on the phase-control input on pin 12. This behavior guarantees a gentle start-up for the motor and automatically ensures the optimum run-up time.

**Figure 6-1.** Soft Start



$C_3$  is first charged up to the starting voltage  $V_0$  with a current of typically 45  $\mu\text{A}$  ( $t_2$ ). By reducing the charging current to approximately 4  $\mu\text{A}$ , the slope of the charging function is also substantially reduced, so that the rotational speed of the motor only slowly increases. The charging current then increases as the voltage across  $C_3$  increases, resulting in a progressively rising charging function which accelerates the motor more and more with increasing rotational speed. The charging function determines the acceleration up to the set point. The charging current can have a maximum value of 55  $\mu\text{A}$ .

## 7. Frequency-to-voltage Converter

The internal frequency-to-voltage converter (f/V converter) generates a DC signal on pin 10 which is proportional to the rotational speed, using an AC signal from a tachometer or a light beam whose frequency is in turn dependent on the rotational speed. The high-impedance input pin 8 compares the tachometer voltage to a switch-on threshold of typically  $-100$  mV. The switch-off threshold is  $-50$  mV. The hysteresis guarantees very reliable operation even when relatively simple tachometers are used.

The tachometer frequency is given by:

$$f = \frac{n}{60} \times p \text{ (Hz)}$$

where:                      n            = Revolutions per minute  
                                     p            = Number of pulses per revolution

The converter is based on the charge pumping principle. With each negative half-wave of the input signal, a quantity of charge determined by  $C_5$  is internally amplified and then integrated by  $C_6$  at the converter output on pin 10. The conversion constant is determined by  $C_5$ , its charge transfer voltage of  $V_{ch}$ ,  $R_6$  (pin 10) and the internally adjusted charge transfer gain.

$$G_i \left[ \frac{I_{10}}{I_9} \right] = 8.3$$

$$k = G_i \times C_5 \times R_6 \times V_{ch}$$

The analog output voltage is given by

$$V_O = k \times f$$

The values of  $C_5$  and  $C_6$  must be such that for the highest possible input frequency, the maximum output voltage  $V_O$  does not exceed 6V. While  $C_5$  is charging up, the  $R_i$  on pin 9 is approximately 6.7 k $\Omega$ . To obtain good linearity of the f/V converter, the time constant resulting from  $R_i$  and  $C_5$  should be considerably less (1/5) than the time span of the negative half-cycle for the highest possible input frequency. The amount of remaining ripple on the output voltage on pin 10 is dependent on  $C_5$ ,  $C_6$  and the internal charge amplification.

$$\Delta V_O = \frac{G_i \times V_{ch} \times C_5}{C_6}$$

The ripple  $\Delta V_O$  can be reduced by using larger values of  $C_6$ . However, the increasing speed will then also be reduced.

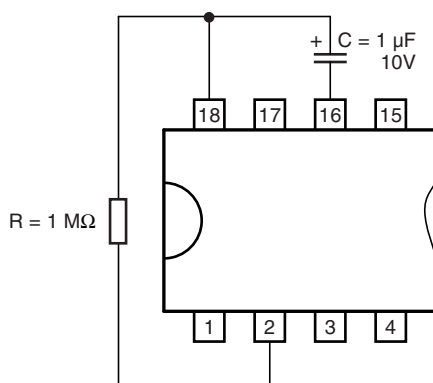
The value of this capacitor should be chosen to fit the particular control loop where it is going to be used.

## 7.1 Pulse Blocking

The output of pulses can be blocked by using pin 18 (standby operation) and the system reset via the voltage monitor if  $V_{18} \geq -1.25V$ . After cycling through the switching point hysteresis, the output is released when  $V_{18} \leq -1.5V$ , followed by a soft start such as after turn-on.

Monitoring of the rotation can be carried out by connecting an RC network to pin 18. In the event of a short or open circuit, the triac triggering pulses are cut off by the time delay which is determined by R and C. The capacitor C is discharged via an internal resistance  $R_i = 2\text{ k}\Omega$  with each charge transfer process of the f/V converter. If there are no more charge transfer processes, C is charged up via R until the switch-off threshold is exceeded and the triac triggering pulses are cut off. For operation without trigger pulse blocking or monitoring of the rotation, pin 18 and pin 16 must be connected together.

**Figure 7-1.** Operation Delay



## 7.2 Control Amplifier

The integrated control amplifier (see [Figure 10-17 on page 21](#)) with differential input compares the set value (pin 11) with the instantaneous value on pin 10, and generates a regulating voltage on the output pin 12 (together with the external circuitry on pin 12). This pin always tries to keep the actual voltage at the value of the set voltages. The amplifier has a transmittance of typically  $1000\ \mu\text{A/V}$  and a bipolar current source output on pin 12 which operates with typically  $\pm 110\ \mu\text{A}$ . The amplification and frequency response are determined by  $R_7$ ,  $C_7$ ,  $C_8$  and  $R_{11}$  (can be left out). For open-loop operation,  $C_4$ ,  $C_5$ ,  $R_6$ ,  $R_7$ ,  $C_7$ ,  $C_8$  and  $R_{11}$  can be omitted. Pin 10 should be connected with pin 12 and pin 8 with pin 2. The phase angle of the triggering pulse can be adjusted by using the voltage on pin 11. An internal limitation circuit prevents the voltage on pin 12 from becoming more negative than  $V_{16} + 1V$ .

## 7.3 Load Limitation

The load limitation, with standard circuitry, provides full protection against overloading of the motor. The function of load limiting takes account of the fact that motors operating at higher speeds can safely withstand larger power dissipations than at lower speeds due to the increased action of the cooling fan. Similarly, considerations have been made for short-term overloads for the motor which are, in practice, often required. These behaviors are not damaging and can be tolerated.

In each positive half-cycle, the circuit measures, via  $R_{10}$ , the load current on pin 14 as a potential drop across  $R_8$  and produces a current proportional to the voltage on pin 14. This current is available on pin 15 and is integrated by  $C_9$ . If, following high-current amplitudes or a large phase angle for current flow, the voltage on  $C_9$  exceeds an internally set threshold of approximately 7.3V (reference voltage pin 16), a latch is set and load limiting is turned on. A current source (sink) controlled by the control voltage on pin 15 now draws current from pin 12 and lowers the control voltage on pin 12 so that the phase angle  $\alpha$  is increased to  $\alpha_{\max}$ .

The simultaneous reduction of the phase angle during which current flows causes firstly a reduction of the rotational speed of the motor which can even drop to zero if the angular momentum of the motor is excessively large, and secondly a reduction of the potential on  $C_9$  which in turn reduces the influence of the current sink on pin 12. The control voltage can then increase again and bring down the phase angle. This cycle of action sets up a “balanced condition” between the “current integral” on pin 15 and the control voltage on pin 12.

Apart from the amplitude of the load current and the time during which current flows, the potential on pin 12 and hence the rotational speed also affects the function of load limiting. A current proportional to the potential on pin 10 gives rise to a voltage drop across  $R_{10}$ , via pin 14, so that the current measured on pin 14 is smaller than the actual current through  $R_8$ .

This means that higher rotational speeds and higher current amplitudes lead to the same current integral. Therefore, at higher speeds, the power dissipation must be greater than that at lower speeds before the internal threshold voltage on pin 15 is exceeded. The effect of speed on the maximum power is determined by the resistor  $R_{10}$  and can therefore be adjusted to suit each individual application.

If, after load limiting has been turned on, the momentum of the load sinks below the “o-momentum” set using  $R_{10}$ ,  $V_{15}$  will be reduced.  $V_{12}$  can then increase again so that the phase angle is reduced. A smaller phase angle corresponds to a larger momentum of the motor and hence the motor runs up, as long as this is allowed by the load momentum. For an already rotating machine, the effect of rotation on the measured “current integral” ensures that the power dissipation is able to increase with the rotational speed. The result is a current-controlled acceleration run-up which ends in a small peak of acceleration when the set point is reached. The load limiting latch is simultaneously reset. Then the speed of the motor is under control again and is capable of carrying its full load. The above mentioned peak of acceleration depends upon the ripple of actual speed voltage. A large amount of ripple also leads to a large peak of acceleration.

The measuring resistor  $R_8$  should have a value which ensures that the amplitude of the voltage across it does not exceed 600 mV.



## 7.4 Design Hints

Practical trials are normally needed for the exact determination of the values of the relevant components for load limiting. To make this evaluation easier, the following table shows the effect of the circuitry on the important parameters for load limiting and summarizes the general tendencies.

**Table 7-1.** Load Limiting Parameters

Parameters	Component	Component	Component
	R <sub>10</sub> Increasing	R <sub>9</sub> Increasing	C <sub>9</sub> Increasing
P <sub>max</sub>	Increases	Decreases	n.e.
P <sub>min</sub>	Increases	Decreases	n.e.
P <sub>max/min</sub>	Increases	n.e.	n.e.
t <sub>d</sub>	n.e.	Increases	Increases
t <sub>r</sub>	n.e.	Increases	Increases

- P<sub>max</sub> - Maximum continuous power dissipation  $P_1 = f_{(n)}$   $n \neq 0$
- P<sub>min</sub> - Power dissipation with no rotation  $P_1 = f_{(n)}$   $n = 0$
- t<sub>d</sub> - Operation delay time
- t<sub>r</sub> - Recovery time
- n.e. - No effect

## 7.5 Pulse-output Stage

The pulse-output stage is short-circuit protected and can typically deliver currents of 125 mA. For the design of smaller triggering currents, the function  $I_{GT} = f(R_{GT})$  can be taken from [Figure 10-12 on page 18](#).

## 7.6 Automatic Retriggering

The variable automatic retriggering prevents half cycles without current flow, even if the triac has been turned off earlier, e.g., due to a collector which is not exactly centered (brush lifter) or in the event of unsuccessful triggering. If necessary, another triggering pulse is generated after a time lapse which is determined by the repetition rate set by resistance between pin 5 and pin 3 (R<sub>5-3</sub>). With the maximum repetition rate (pin 5 directly connected to pin 3), the next attempt to trigger comes after a pause of 4.5 t<sub>p</sub> and this is repeated until either the triac fires or the half cycle finishes. If pin 5 is not connected, only one trigger pulse per half cycle is generated. Since the value of R<sub>5-3</sub> determines the charging current of C<sub>2</sub>, any repetition rate set using R<sub>5-3</sub> is only valid for a fixed value of C<sub>2</sub>.

## 7.7 General Hints and Explanation of Terms

To ensure safe and trouble-free operation, the following points should be taken into consideration when circuits are being constructed or in the design of printed circuit boards.

- The connecting lines from  $C_2$  to pin 7 and pin 2 should be as short as possible. The connection to pin 2 should not carry any additional high current such as the load current. When selecting  $C_2$ , a low temperature coefficient is desirable.
- The common (earth) connections of the set-point generator, the tacho generator and the final interference suppression capacitor  $C_4$  of the f/V converter should not carry load current.
- The tacho generator should be mounted without influence by strong stray fields from the motor.
- The connections from  $R_{10}$  and  $C_5$  should be as short as possible.

To achieve a high noise immunity, a maximum ramp voltage of 6V should be used. The typical resistance  $R_\varphi$  can be calculated from  $I_\varphi$  as follows:

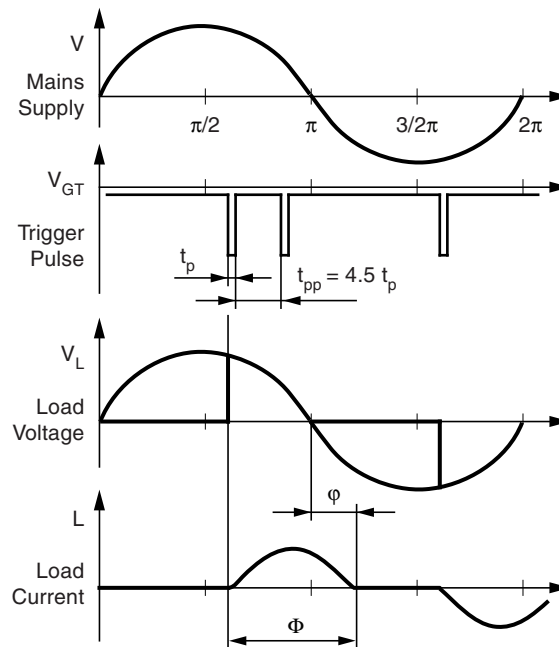
$$R_\varphi(\text{k}\Omega) = \frac{T(\text{ms}) \times 1.13(\text{V}) \times 10^3}{C(\text{nF}) \times 6(\text{V})}$$

$T =$  Period duration for mains frequency (10 ms at 50 Hz)

$C_\varphi =$  Ramp capacitor, maximum ramp voltage 6 V and constant voltage drop at  $R_\varphi = 1.13 \text{ V}$

A 10% lower value of  $R_\varphi$  (under worst case conditions) is recommended.

**Figure 7-2.** Explanation of Terms in Phase Relationship



## 7.8 Design Calculations for Main Supply

The following equations can be used for the evaluation of the series resistor  $R_1$  for worst case conditions:

$$R_{1\max} = 0.85 \frac{V_{M\min} - V_{S\max}}{2 I_{\text{tot}}}$$

$$R_{1\min} = \frac{V_M - V_{S\min}}{2 I_{S\max}}$$

$$P_{(R1\max)} = \frac{(V_{M\max} - V_{S\min})^2}{2 R_1}$$

where:

$V_M$  = Mains voltage

$V_S$  = Supply voltage on pin 3

$I_{\text{tot}}$  = Total DC current requirement of the circuit

=  $I_S + I_p + I_x$

$I_{S\max}$  = Current requirement of the IC in mA

$I_p$  = Average current requirement of the triggering pulse

$I_x$  = Current requirement of other peripheral components

$R_1$  can be easily evaluated from the [Figure 10-14 on page 19](#), [Figure 10-15 on page 19](#) and [Figure 10-16 on page 20](#).

## 8. Absolute Maximum Ratings

Reference point pin 2, unless otherwise specified

Stresses beyond those listed under “Absolute Maximum Ratings” may cause permanent damage to the device. This is a stress rating only and functional operation of the device at these or any other conditions beyond those indicated in the operational sections of this specification is not implied. Exposure to absolute maximum rating conditions for extended periods may affect device reliability.

Parameters	Pins	Symbol	Value	Unit
Current requirement	3	$-I_S$	30	mA
$t \leq 10 \mu s$	3	$-i_s$	100	mA
Synchronization current	1	$I_{syncI}$	5	mA
	17	$I_{syncV}$	5	mA
$t < 10 \mu s$	1	$\pm i_I$	35	mA
$t < 10 \mu s$	17	$\pm i_I$	35	mA
<b>f/V Converter</b>				
Input current	8	$I_I$	3	mA
$t < 10 \mu s$	8	$\pm i_I$	13	mA
<b>Load Limiting</b>				
Limiting current, negative half wave	14	$I_I$	5	mA
$t < 10 \mu s$	14	$I_I$	35	mA
Input voltage	14	$\pm V_I$	1	V
	15	$-V_I$	$ V_{16} $ to 0	V
<b>Phase Control</b>				
Input voltage	12	$-V_I$	0 to 7	V
Input current	12	$\pm i_I$	500	$\mu A$
	6	$-I_I$	1	mA
<b>Soft Start</b>				
Input voltage	13	$-V_I$	$ V_{16} $ to 0	V
<b>Pulse Output</b>				
Reverse voltage	4	$V_R$	$V_S$ to 5	V
<b>Pulse Blocking</b>				
Input voltage	18	$-V_I$	$ V_{16} $ to 0	V
<b>Amplifier</b>				
Input voltage	11	$V_I$	0 to $V_S$	V
Pin 9 open	10	$-V_I$	$ V_{16} $ to 0	V
<b>Reference Voltage Source</b>				
Output current	16	$I_o$	7.5	mA
Storage temperature range		$T_{stg}$	-40 to +125	$^{\circ}C$
Junction temperature		$T_j$	125	$^{\circ}C$
Ambient temperature range		$T_{amb}$	-10 to +100	$^{\circ}C$

## 9. Thermal Resistance

Parameters		Symbol	Value	Unit
Junction ambient	DIP18	$R_{thJA}$	120	K/W
	SO16 on p.c.	$R_{thJA}$	180	K/W
	SO16 on ceramic	$R_{thJA}$	100	K/W

## 10. Electrical Characteristics

$-V_S = 13.0V$ ,  $T_{amb} = 25^\circ C$ , reference point pin 2, unless otherwise specified

Parameters	Test Conditions	Pins	Symbol	Min.	Typ.	Max.	Unit
Supply voltage for mains operation		3	$-V_S$	13.0		$V_{Limit}$	V
Supply voltage limitation	$-I_S = 4\text{ mA}$	3	$-V_S$	14.6		16.6	V
	$-I_S = 30\text{ mA}$			14.7		16.8	V
DC current requirement	$-V_S = 13.0\text{ V}$	3	$I_S$	1.2	2.5	3.0	mA
Reference voltage source	$-I_L = 10\ \mu A$	16	$-V_{Ref}$	8.6	8.9	9.2	V
	$-I_L = 5\text{ mA}$			8.3		9.1	V
Temperature coefficient		16	$-TC_{V_{Ref}}$		0.5		mV/K
<b>Voltage Monitoring</b>							
Turn-on threshold		3	$-V_{SON}$	11.2	13.0		V
Turn-off threshold		3	$-V_{SOFF}$	9.9	10.9		V
<b>Phase-control Currents</b>							
Synchronization current		1 17	$\pm I_{syncI}$ $\pm I_{syncV}$	0.35		2.0	mA
Voltage limitation	$\pm I_L = 5\text{ mA}$	1, 17	$\pm V_I$	1.4	1.6	1.8	V
<b>Reference Ramp (see Figure 10-1 on page 15)</b>							
Charge current	$I_7 = f(R_6)$ $R_6 = 50\text{ k}\Omega$ to $1\text{ M}\Omega$	7	$I_7$	1	20		$\mu A$
$R_\phi$ -reference voltage	$\alpha \geq 180^\circ$	6, 3	$V_{\phi Ref}$	1.06	1.13	1.18	V
Temperature coefficient		6	$TC_{V_{\phi Ref}}$		0.5		mV/K
<b>Pulse Output (see Figure 10-12 on page 18, Pin 4)</b>							
Output pulse current	$R_{GT} = 0$ , $V_{GT} = 1.2\text{ V}$		$I_o$	100	155	190	mA
Reverse current			$I_{or}$		0.01	3.0	$\mu A$
Output pulse width	$C_\phi = 10\text{ nF}$		$t_p$		80		$\mu s$
<b>Amplifier</b>							
Common-mode signal range		10, 11	$V_{10}$ , $V_{11}$	$V_{16}$		-1	V
Input bias current		11	$I_{IO}$		0.01	1	$\mu A$
Input offset voltage		10, 11	$V_{10}$		10		mV
Output current		12	$-I_o$ $+I_o$	75	110	145	$\mu A$
				88	120	165	$\mu A$
Short circuit forward, transmittance	$I_{12} = f(V_{10-11})$ , (see Figure 10-7 on page 17)	12	$Y_f$		1000		$\mu A/V$

## 10. Electrical Characteristics (Continued)

$-V_S = 13.0V$ ,  $T_{amb} = 25^\circ C$ , reference point pin 2, unless otherwise specified

Parameters	Test Conditions	Pins	Symbol	Min.	Typ.	Max.	Unit
<b>Pulse Blocking, Tacho Monitoring</b>							
Logic-on		18	$-V_{TON}$	3.7	1.5		V
Logic-off		18	$-V_{TOFF}$		1.25	1.0	V
Input current	$V_{18} = V_{TOFF} = 1.25 V$ $V_{18} = V_{16}$	18	$I_I$	14.5	0.3	1	$\mu A$ $\mu A$
Output resistance		18	$R_O$	1.5	6	10	k $\Omega$
<b>Frequency-to-voltage Converter</b>							
Input bias current		8	$I_{IB}$		0.6	2	$\mu A$
Input voltage limitation	$I_I = -1 mA$ $I_I = +1 mA$ (see <a href="#">Figure 10-7 on page 17</a> )	8	$-V_I$ $+V_I$	660 7.25		750 8.05	mV V
Turn-on threshold		8	$-V_{TON}$		100	150	mV
Turn-off threshold		8	$-V_{TOFF}$	20	50		mV
<b>Charge Amplifier</b>							
Discharge current	$C_5 = 1 nF$ , (see <a href="#">Figure 10-17 on page 21</a> )	9	$I_{dis}$		0.5		mA
Charge transfer voltage		9 to 16	$V_{ch}$	6.50	6.70	6.90	V
Charge transfer gain	$I_{10}/I_9$	9, 10	$G_I$	7.5	8.3	9.0	
Conversion factor	$C_5 = 1 nF$ , $R_6 = 100 k\Omega$ (see <a href="#">Figure 10-17 on page 21</a> )		K		5.5		mV/Hz
Output operating range		10 to 16	$V_O$		0-6		V
Linearity					$\pm 1$		%
<b>Soft Start, f/V Converter Non-active (see <a href="#">Figure 10-2 on page 15</a> and <a href="#">Figure 10-4 on page 16</a>)</b>							
Starting current	$V_{13} = V_{16}$ , $V_8 = V_2$	13	$I_O$	20	45	55	$\mu A$
Final current	$V_{13} = 0.5$	13	$I_O$	50	85	130	$\mu A$
<b>f/V Converter Active (see <a href="#">Figure 10-3 on page 15</a>, <a href="#">Figure 10-5 on page 16</a> and <a href="#">Figure 10-6 on page 16</a>)</b>							
Starting current	$V_{13} = V_{16}$	13	$I_O$	2	4	7	$\mu A$
Final current	$V_{13} = 0.5$		$I_O$	30	55	80	$\mu A$
Discharge current	Restart pulse	13	$I_O$	0.5	3	10	mA
<b>Automatic Retriggering (see <a href="#">Figure 10-13 on page 19</a>, Pin 5)</b>							
Repetition rate	$R_{5-3} = 0$		$t_{pp}$	3	4.5	6	$t_p$
	$R_{5-3} = 15 k\Omega$		$t_{pp}$		20		$t_p$
<b>Load Limiting (see <a href="#">Figure 10-9 on page 17</a>, <a href="#">Figure 10-10 on page 18</a> and <a href="#">Figure 10-11 on page 18</a>)</b>							
Operating voltage range		14	$V_I$	-1.0		+1.0	V
Offset current	$V_{10} = V_{16}$	14	$I_O$	5		12	$\mu A$
	$V_{14} = V_2$ via 1 k $\Omega$	15-16	$I_O$		0.1	1.0	$\mu A$
Input current	$V_{10} = 4.5V$	14	$I_I$	60	90	120	$\mu A$
Output current	$V_{14} = 300 mV$	15-16	$I_O$	110		140	$\mu A$
Overload ON		15-16	$V_{TON}$	7.05	7.4	7.7	V

Figure 10-1. Ramp Control

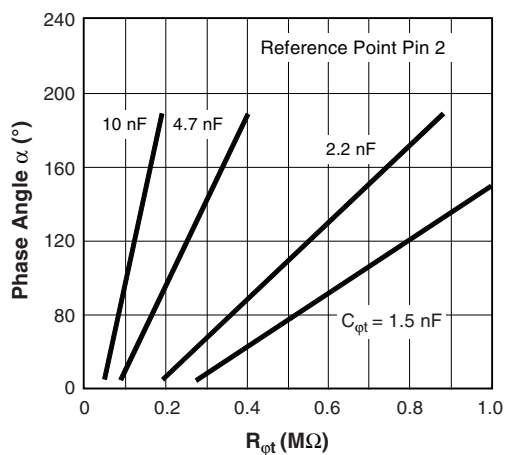


Figure 10-2. Soft-start Charge Current (f/V Converter Non-active)

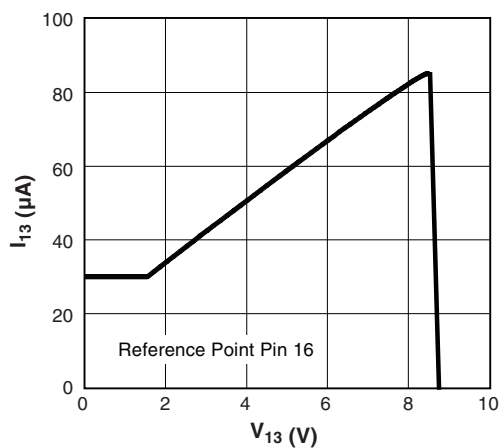
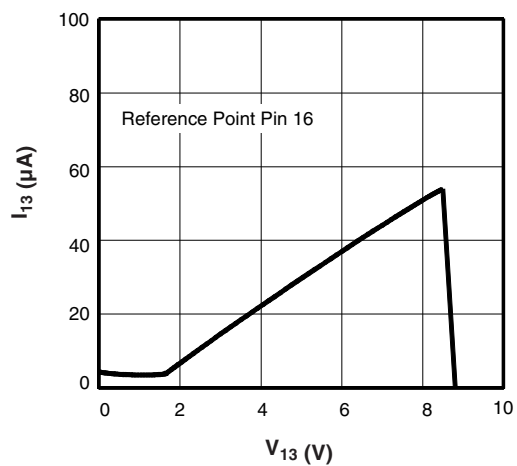
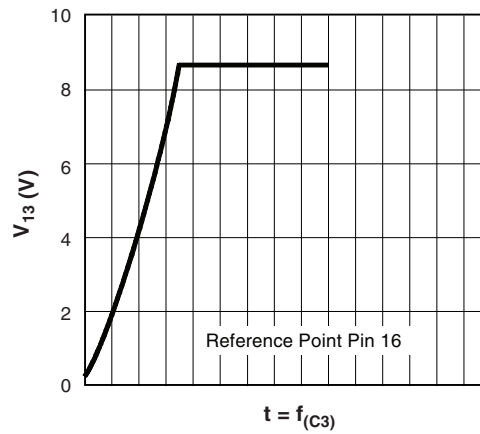


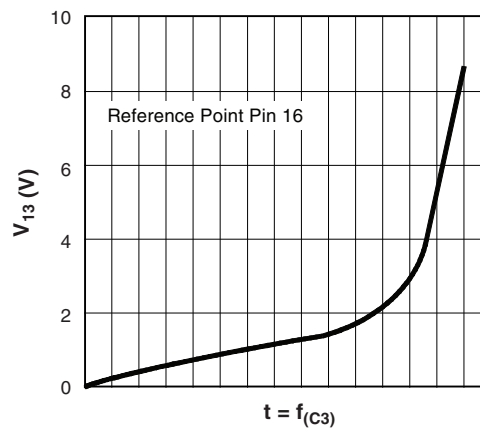
Figure 10-3. Soft-start Charge Current (f/V Converter Active)



**Figure 10-4.** Soft-start Voltage (f/V Converter Non-active)



**Figure 10-5.** Soft-start Voltage (f/V Converter Active)



**Figure 10-6.** Soft-start Function

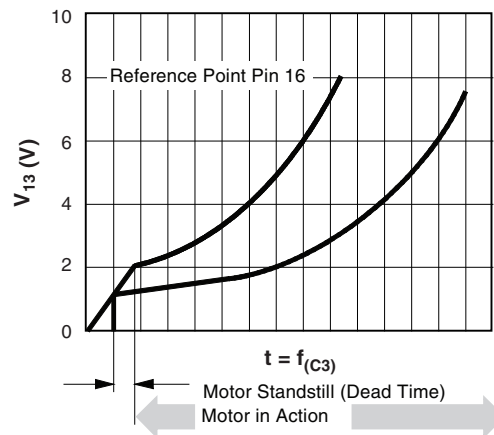




Figure 10-7. f/V Converter Voltage Limitation

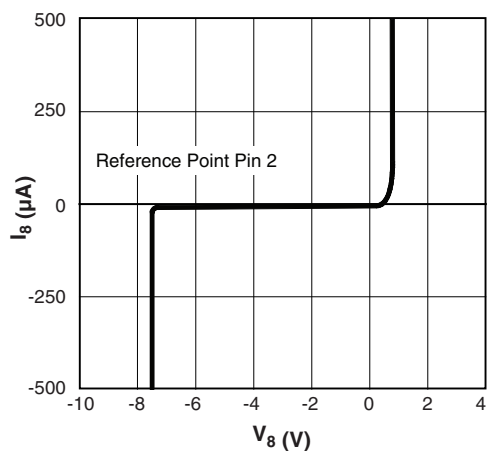


Figure 10-8. Amplifier Output Characteristics

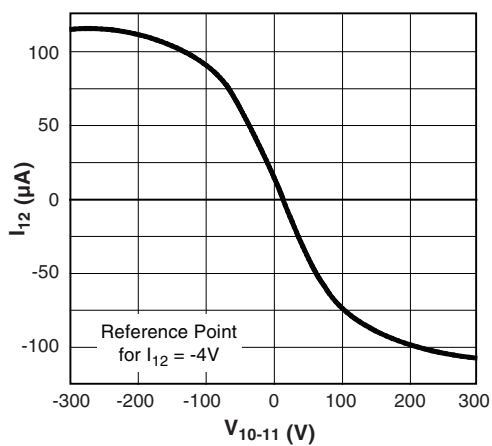
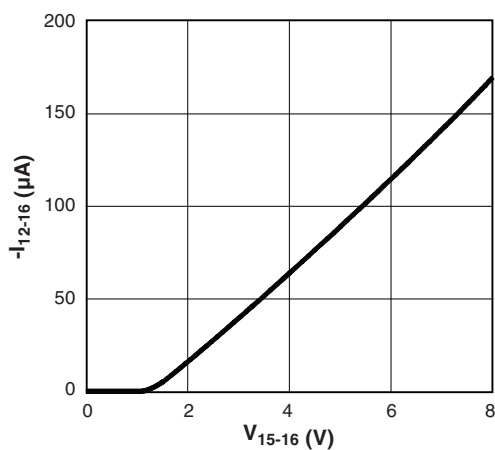
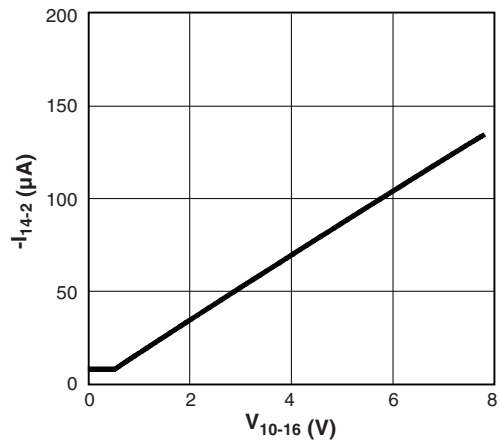


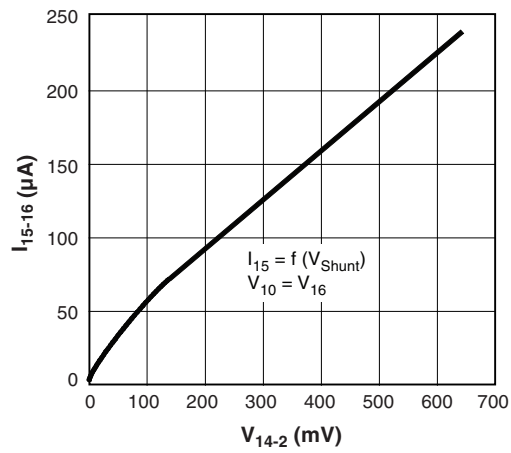
Figure 10-9. Load Limit Control



**Figure 10-10.** Load Limit Control f/V Dependency



**Figure 10-11.** Load Current Detection



**Figure 10-12.** Pulse Output

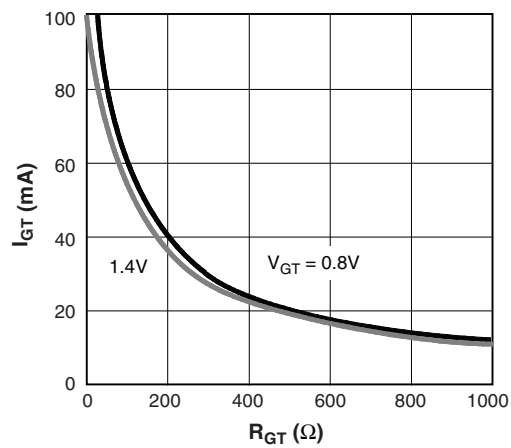


Figure 10-13. Automatic Retriggering Repetition Rate

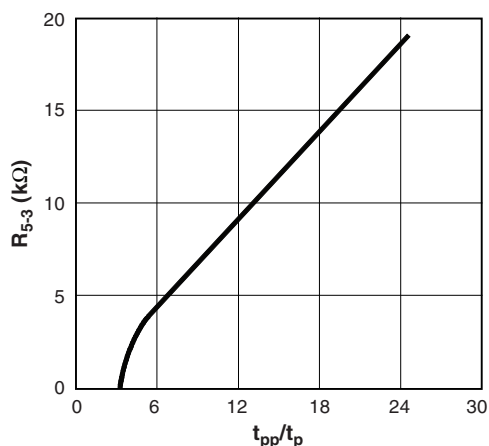


Figure 10-14. Determination of  $R_1$

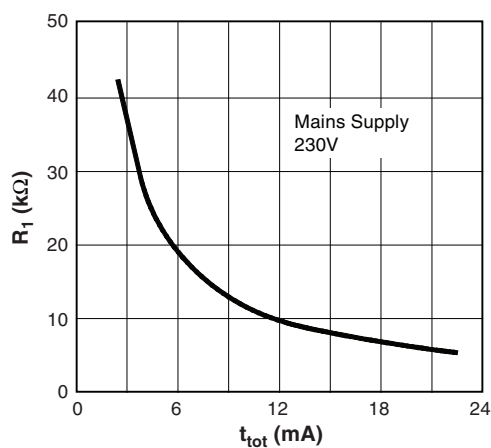
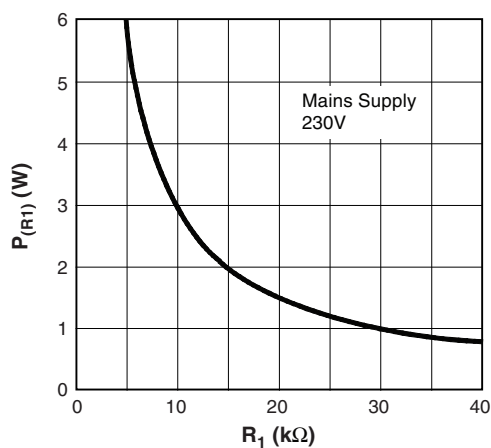


Figure 10-15. Power Dissipation of  $R_1$



**Figure 10-16.** Power Dissipation of  $R_1$  According to Current Consumption

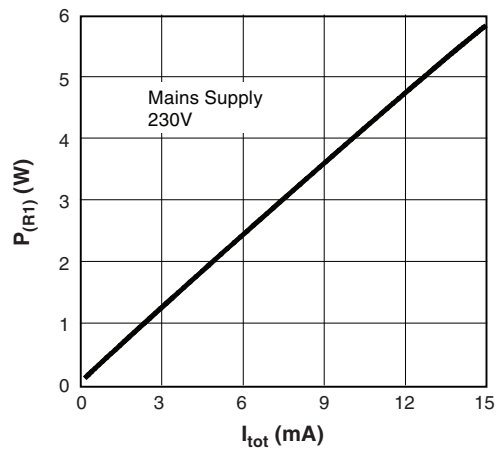
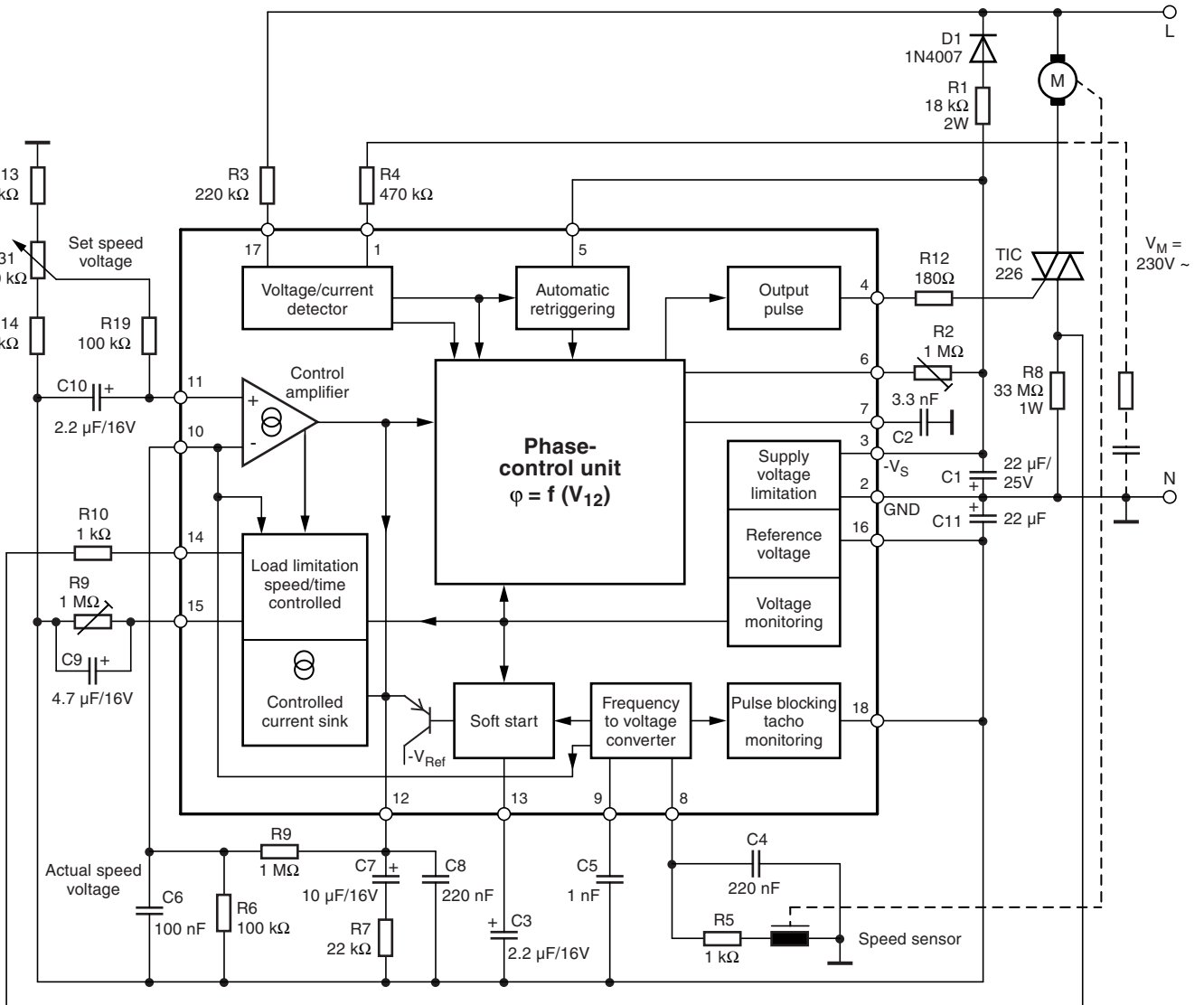
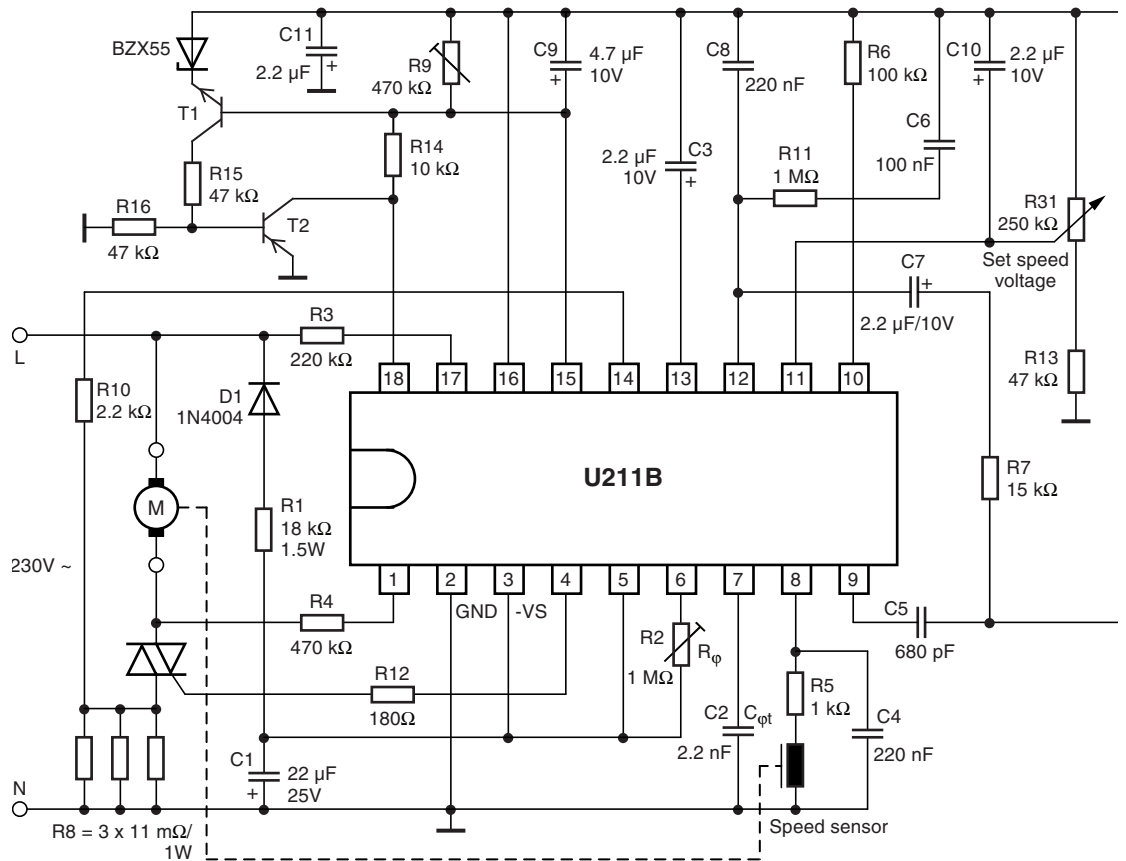


Figure 10-17. Speed Control, Automatic Retriggering, Load Limiting, Soft Start

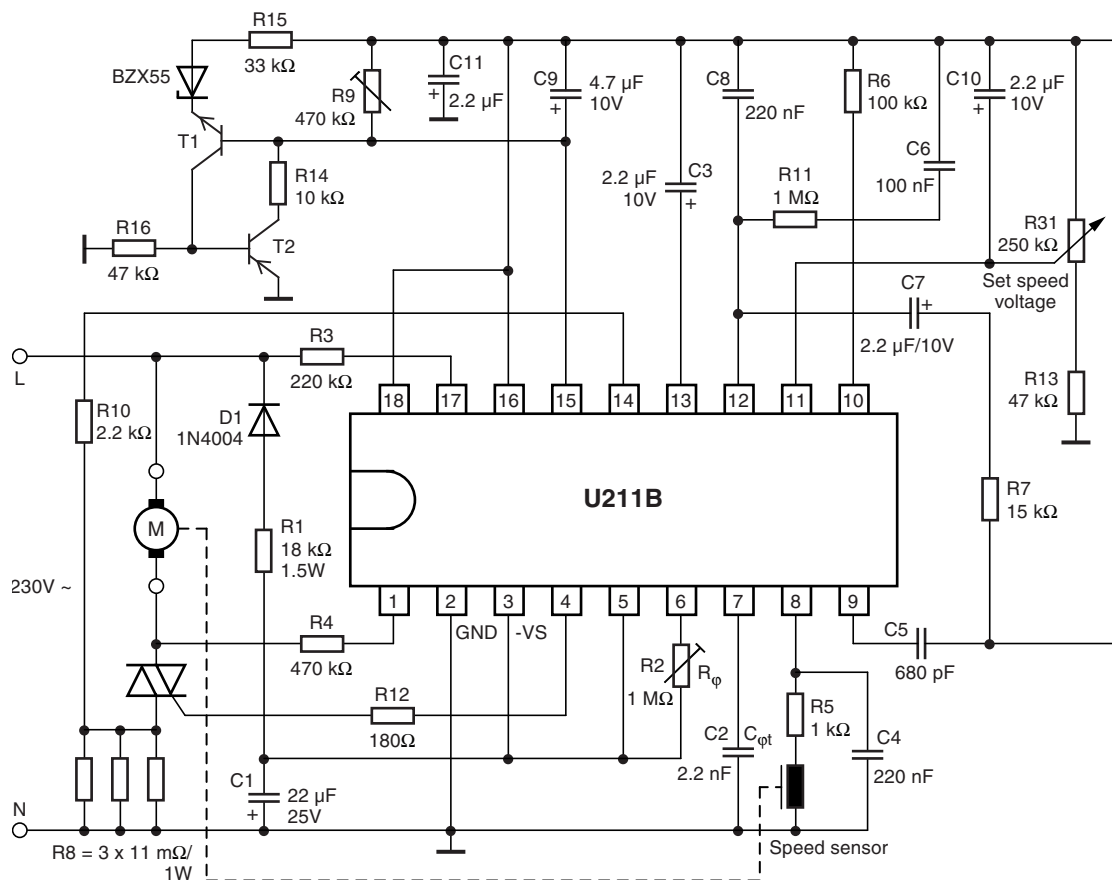


**Figure 10-18.** Speed Control, Automatic Retriggering, Load Switch-off, Soft Start



The switch-off level at maximum load shows in principle the same speed dependency as the original version (see [Figure 10-17](#) on page 21), but when reaching the maximum load, the motor is switched off completely. This function is effected by the thyristor (formed by T<sub>1</sub> and T<sub>2</sub>) which ignites when the voltage at pin 15 reaches typically 7.4V (reference point pin 16). The circuit is thereby switched to standby mode over the release Pin 18.

Figure 10-19. Speed Control, Automatic Retriggering, Load Switch-down, Soft Start



The maximum load regulation shows in principle the same speed dependency as the original version (see Figure 10-17 on page 21). When reaching the maximum load, the control unit is turned to  $\alpha_{max}$ , adjustable with  $R_2$ . Then, only  $I_O$  flows. This function is effected by the thyristor, formed by  $T_1$  and  $T_2$  which ignites as soon as the voltage at pin 15 reaches approximately 6.8V (reference point pin 16). The potential at pin 15 is lifted and kept by  $R_{14}$  over the internal operating threshold whereby the maximum load regulation starts and adjusts the control unit constantly to  $\alpha_{max}(I_O)$ , inspite of a reduced load current. The motor shows that the circuit is still in operation by producing a buzzing sound.

**Figure 10-20. Speed Control, Automatic Retriggering, Load Limiting, Soft Start, Tacho Control**

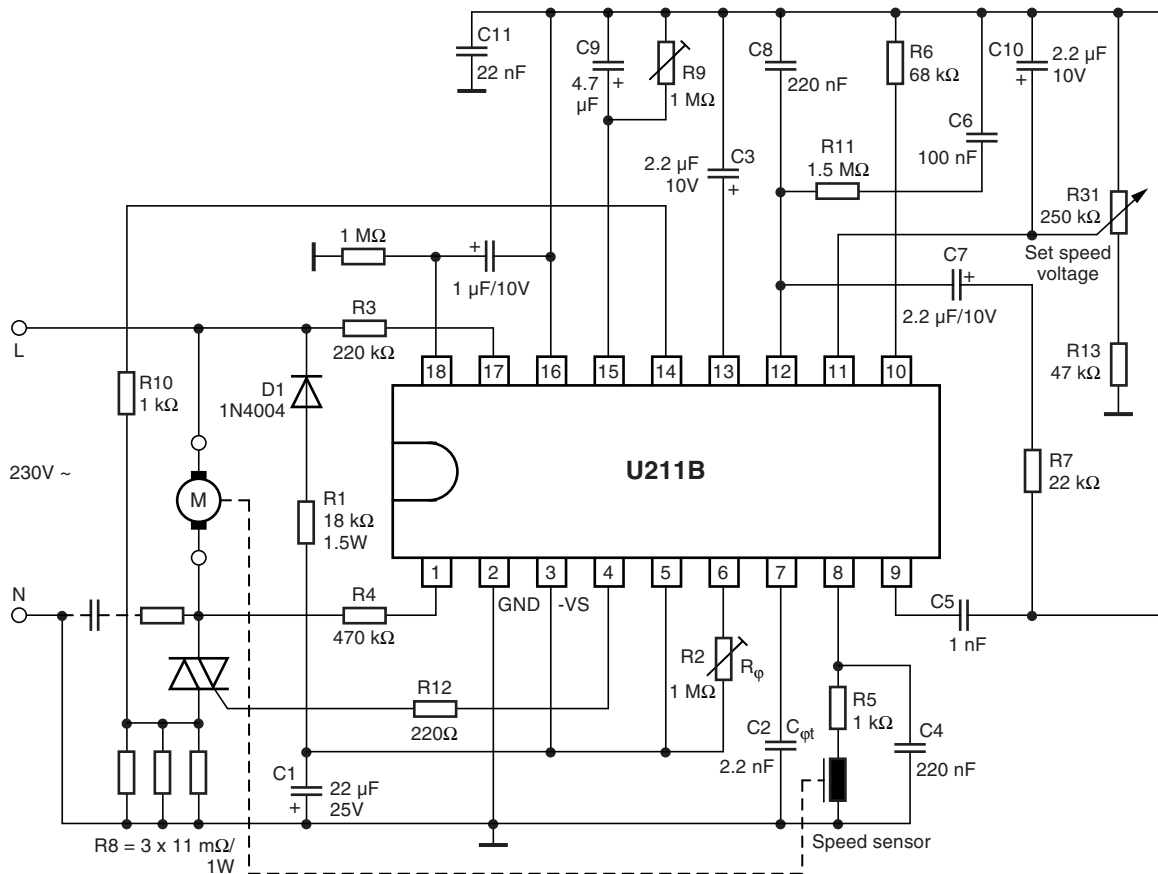
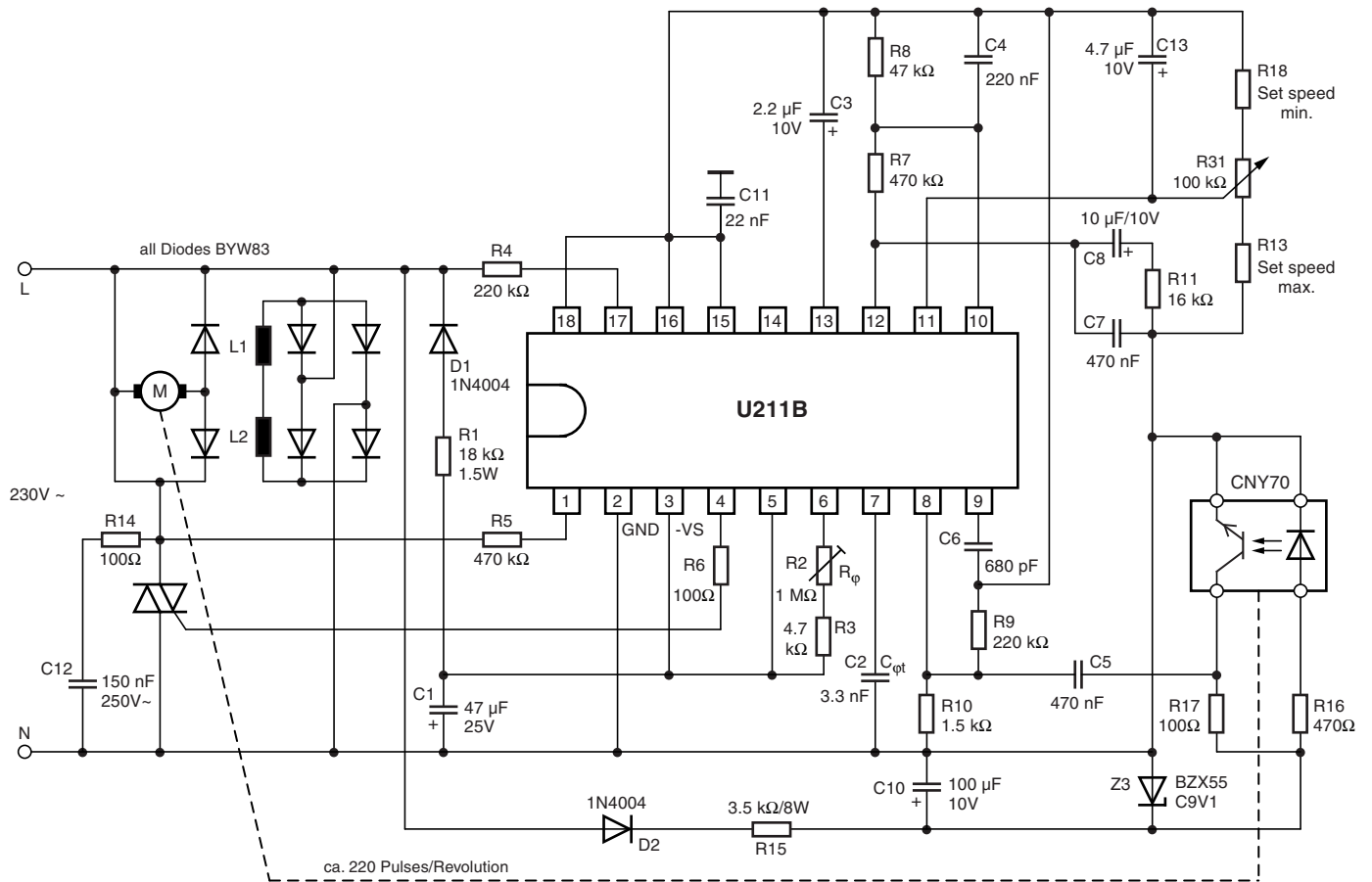
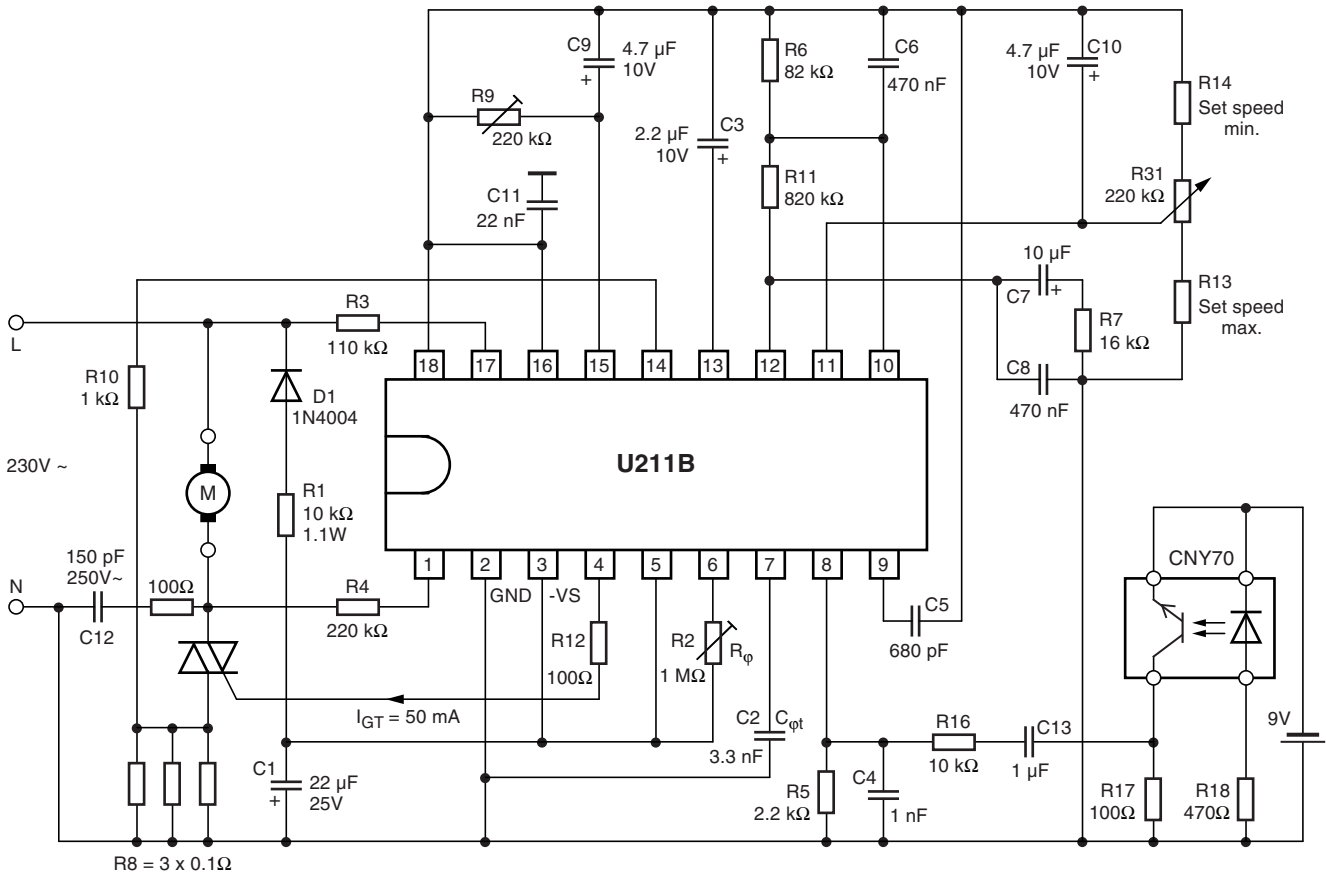




Figure 10-21. Speed Control with Reflective Opto Coupler CNY70 as Emitter



**Figure 10-22. Speed Control, Maximum Load Control with Reflective Opto Coupler CNY70 as Emitter**



The schematic diagram (see [Figure 10-22 on page 26](#)) is designed as a speed control IC based on the reflection-coupled principle with 4 periods per revolution and a maximum speed of 30000 rpm. The separation of the coupler from the rotating aperture should be about approximately 1 mm. In the schematic diagram, the power supply for the coupler was provided externally because of the relatively high current consumption.

Instructions for adjusting:

1. In the initial adjustment of the phase-control circuit,  $R_2$  should be adjusted so that when  $R_{14} = 0$  and  $R_{31}$  are in minimum position, the motor just turns.
2. The speed can now be adjusted as desired by means of  $R_{31}$  between the limits determined by  $R_{13}$  and  $R_{14}$ .
3. The switch-off power of the limiting-load control can be set by  $R_9$ . The lower  $R_9$ , the higher the switch-off power.

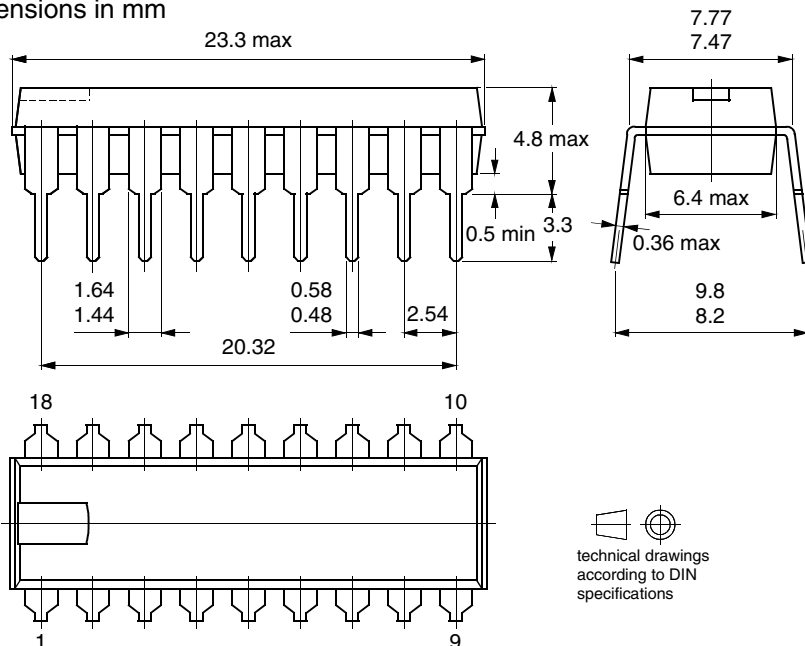
## 11. Ordering Information

Extended Type Number	Package	Remarks
U211B-xY	DIP18	Tube
U211B-xFPY	SO16	Tube
U211B-xFPG3Y	SO16	Taped and reeled

## 12. Package Information

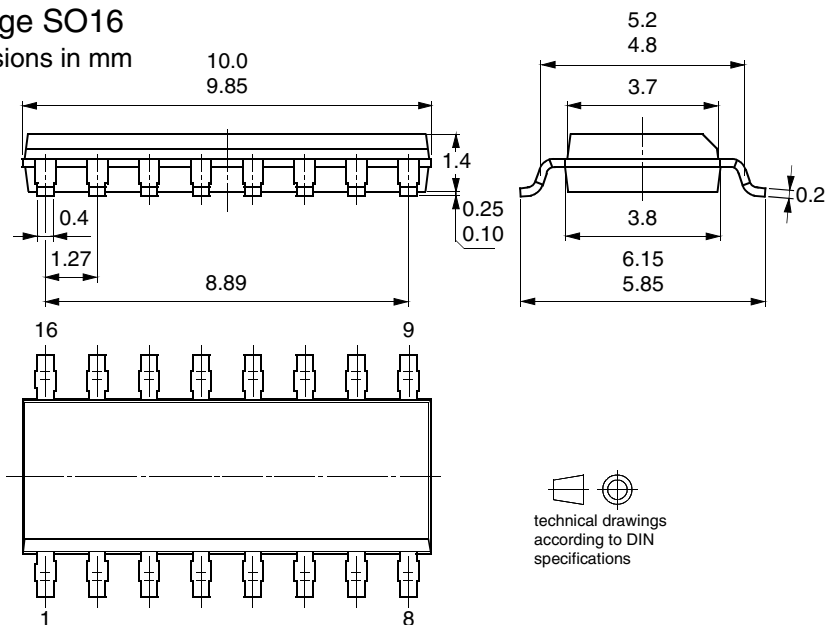
### Package DIP18

Dimensions in mm



### Package SO16

Dimensions in mm



## 13. Revision History

Please note that the following page numbers referred to in this section refer to the specific revision mentioned, not to this document.

Revision No.	History
4752B-INDCO-09/05	<ul style="list-style-type: none"><li>• Put datasheet in a new template</li><li>• First page: Pb-free logo added</li><li>• Page 27: Ordering Information changed</li></ul>



## Headquarters

---

**Atmel Corporation**  
2325 Orchard Parkway  
San Jose, CA 95131  
USA  
Tel: 1(408) 441-0311  
Fax: 1(408) 487-2600

## International

---

**Atmel Asia**  
Unit 1-5 & 16, 19/F  
BEA Tower, Millennium City 5  
418 Kwun Tong Road  
Kwun Tong, Kowloon  
Hong Kong  
Tel: (852) 2245-6100  
Fax: (852) 2722-1369

**Atmel Europe**  
Le Krebs  
8, Rue Jean-Pierre Timbaud  
BP 309  
78054  
Saint-Quentin-en-Yvelines Cedex  
France  
Tel: (33) 1-30-60-70-00  
Fax: (33) 1-30-60-71-11

**Atmel Japan**  
9F, Tonetsu Shinkawa Bldg.  
1-24-8 Shinkawa  
Chuo-ku, Tokyo 104-0033  
Japan  
Tel: (81) 3-3523-3551  
Fax: (81) 3-3523-7581

## Product Contact

---

**Web Site**  
[www.atmel.com](http://www.atmel.com)

**Technical Support**  
[industrial@atmel.com](mailto:industrial@atmel.com)

**Sales Contact**  
[www.atmel.com/contacts](http://www.atmel.com/contacts)

**Literature Requests**  
[www.atmel.com/literature](http://www.atmel.com/literature)

---

**Disclaimer:** The information in this document is provided in connection with Atmel products. No license, express or implied, by estoppel or otherwise, to any intellectual property right is granted by this document or in connection with the sale of Atmel products. **EXCEPT AS SET FORTH IN ATMEL'S TERMS AND CONDITIONS OF SALE LOCATED ON ATMEL'S WEB SITE, ATMEL ASSUMES NO LIABILITY WHATSOEVER AND DISCLAIMS ANY EXPRESS, IMPLIED OR STATUTORY WARRANTY RELATING TO ITS PRODUCTS INCLUDING, BUT NOT LIMITED TO, THE IMPLIED WARRANTY OF MERCHANTABILITY, FITNESS FOR A PARTICULAR PURPOSE, OR NON-INFRINGEMENT. IN NO EVENT SHALL ATMEL BE LIABLE FOR ANY DIRECT, INDIRECT, CONSEQUENTIAL, PUNITIVE, SPECIAL OR INCIDENTAL DAMAGES (INCLUDING, WITHOUT LIMITATION, DAMAGES FOR LOSS OF PROFITS, BUSINESS INTERRUPTION, OR LOSS OF INFORMATION) ARISING OUT OF THE USE OR INABILITY TO USE THIS DOCUMENT, EVEN IF ATMEL HAS BEEN ADVISED OF THE POSSIBILITY OF SUCH DAMAGES.** Atmel makes no representations or warranties with respect to the accuracy or completeness of the contents of this document and reserves the right to make changes to specifications and product descriptions at any time without notice. Atmel does not make any commitment to update the information contained herein. Unless specifically provided otherwise, Atmel products are not suitable for, and shall not be used in, automotive applications. Atmel's products are not intended, authorized, or warranted for use as components in applications intended to support or sustain life.

© 2009 Atmel Corporation. All rights reserved. Atmel®, logo and combinations thereof, and others are registered trademarks or trademarks of Atmel Corporation or its subsidiaries. Other terms and product names may be trademarks of others.